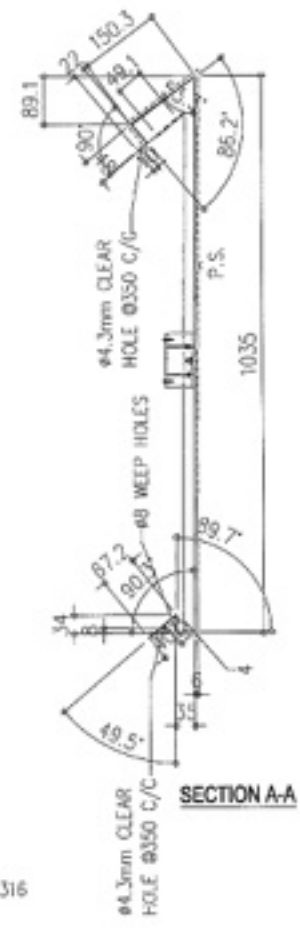
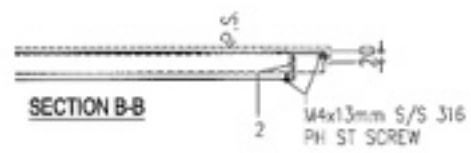
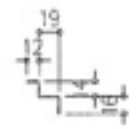


WELD TOGETHER WITH
RM-NNA-5B



SECTION A-A



SECTION B-B



SECTION C-C

ITEM 4 (2MM ALUM
BEND 2-PLATE, L60)
LOCATE AT WEEP HOLE
WITH DOUBLE
SIDED ADHESIVE TAPE

